

Installation - Grill Cart Side Shelf



General Information

Your Grill Cart Side Shelf is intended to provide extra work surface, but should be limited to loads of 25lbs or less. Your component may differ slightly from the illustrations shown here.

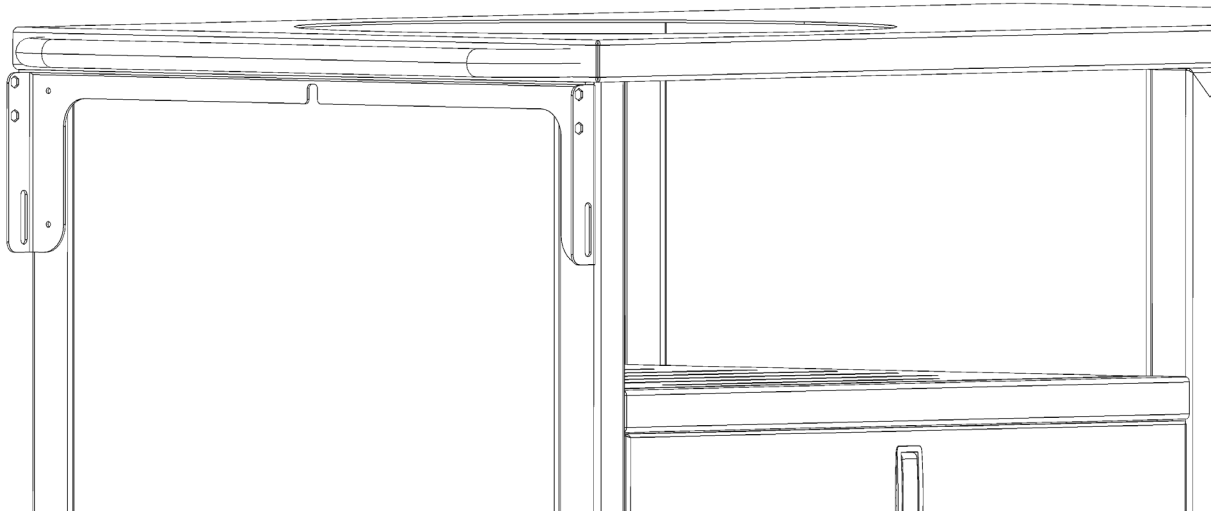
The Grill Cart Side Shelf may be installed on either side of our grill carts. It is designed to work with the integrated towel bar, slipping over it and into place on the bracket.

If any issues arise, or for warranty claims, please contact Matchless Cabinet.

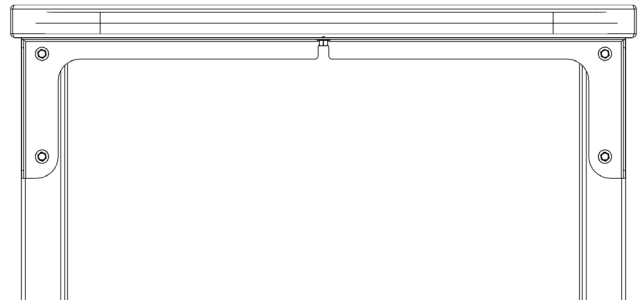
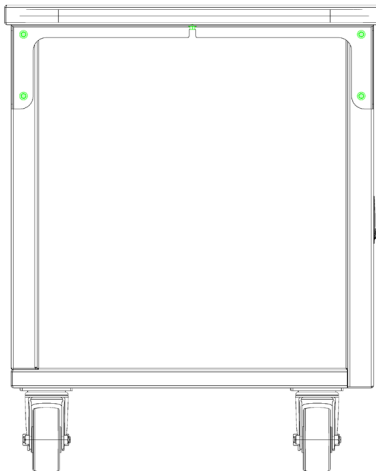
Matchless Cabinet
19800 Metcalf Ave, Suite 263
Stilwell, KS 66085
(913) 214-1518

Assembly

1. Align the bracket with the side of the cart, and against the bottom of the countertop overhang.

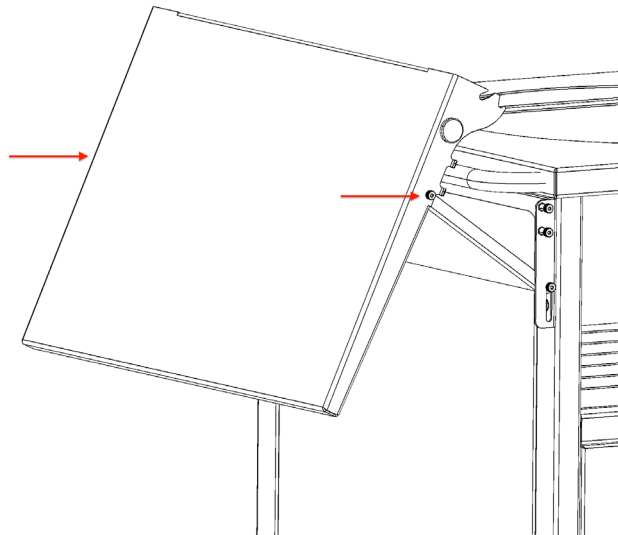


2. Secure in place first with one (1) of the supplied self-tapping sheet metal screws in the center of the bracket to the underside of the countertop. Then secure to the sides with the remaining four (4) screws.

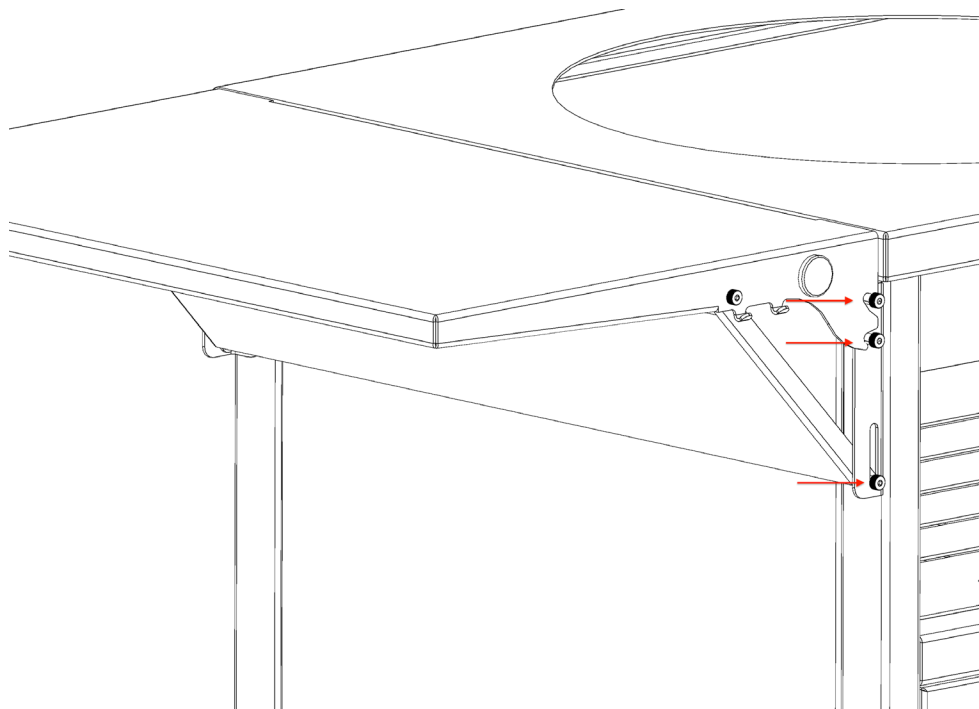


MATCHLESS

3. Attach the shelf with to the support strut with the two (2) supplied bolts and nuts. Tighten until they stop; the shelf should pivot on these.



4. To lock the shelf in place, pull the shelf / strut assembly up, and pivot the shelf down and onto the shelf pins. The shelf should sit firmly on the pins, and with the strut fully lowered in the bracket slot.



MATCHLESS

6. To lower the shelf, reverse the above procedure and carefully lower the shelf, resting against the side of the cabinet.

