

# Side Burner “Drop Kit” Installation



## General Information

---

This kit is designed to work with your Matchless Cabinet side burner cabinet, and provide a recessed drop-in installation.

This manual serves as a general installation guide, but your specific install may require some alterations.

**Matchless Cabinet**  
**19800 Metcalf Ave, Suite 263**  
**Stilwell, KS 66085**  
**(913) 214-1518**

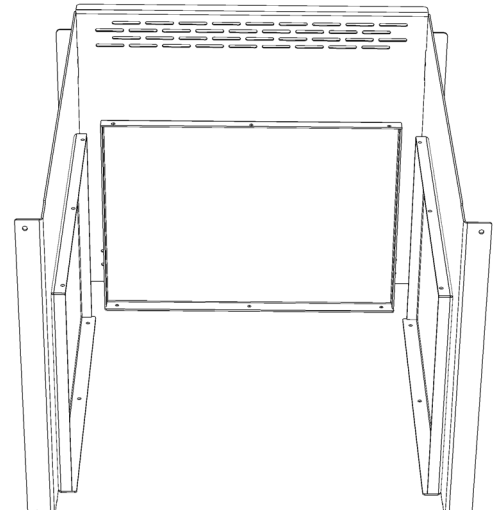
## Assembly

---

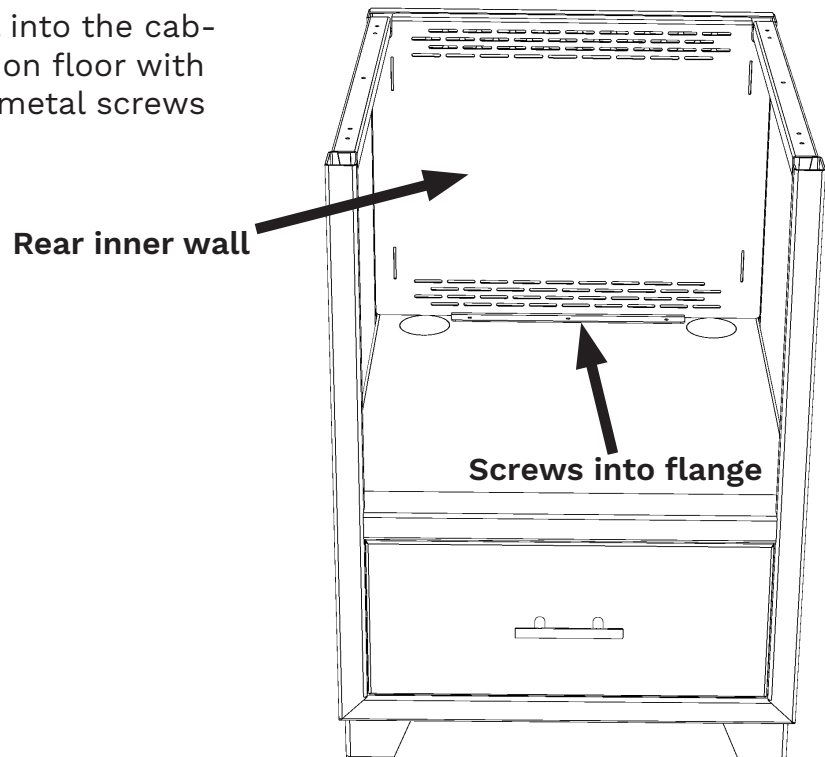
The Side Burner Drop Kit consists of six (6) main components:

- One (1) rear inner wall
- Two (2) side inner walls
- Three (3) dropped counter support brackets

Plus the front trim panel found with any built-in appliance cabinet



1. Place the inner back wall into the cabinet. Secure to the partition floor with three self-tapping sheet metal screws



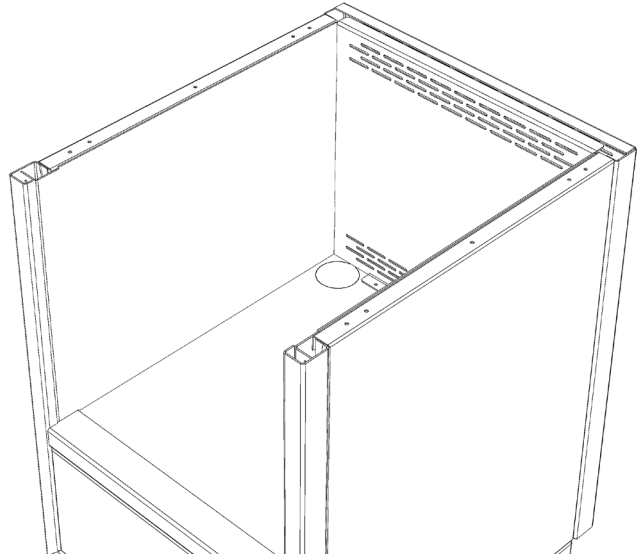
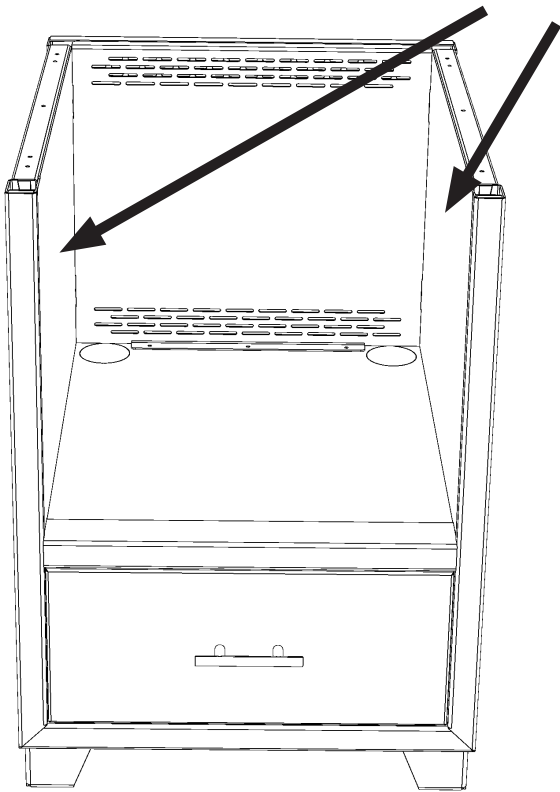
## Assembly

---

2. Place the side inner walls. The tabs insert into the rear inner wall.

Ensure that the wall fits tightly in to the face frame at the front of the cabinet

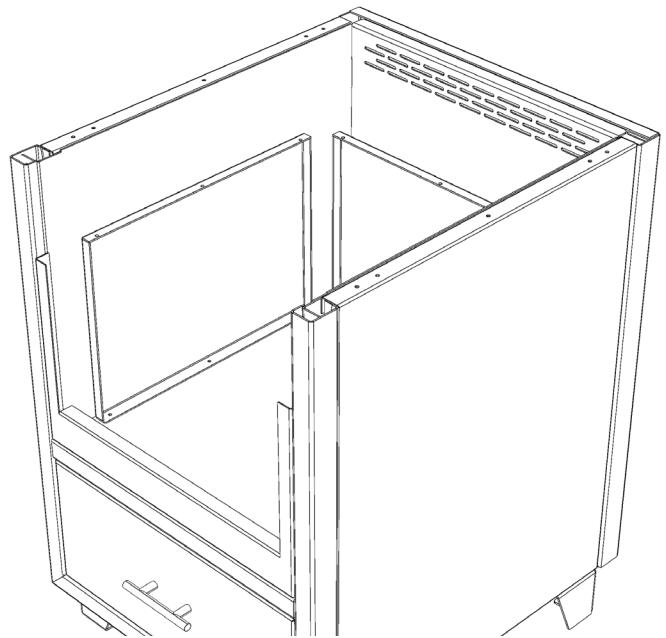
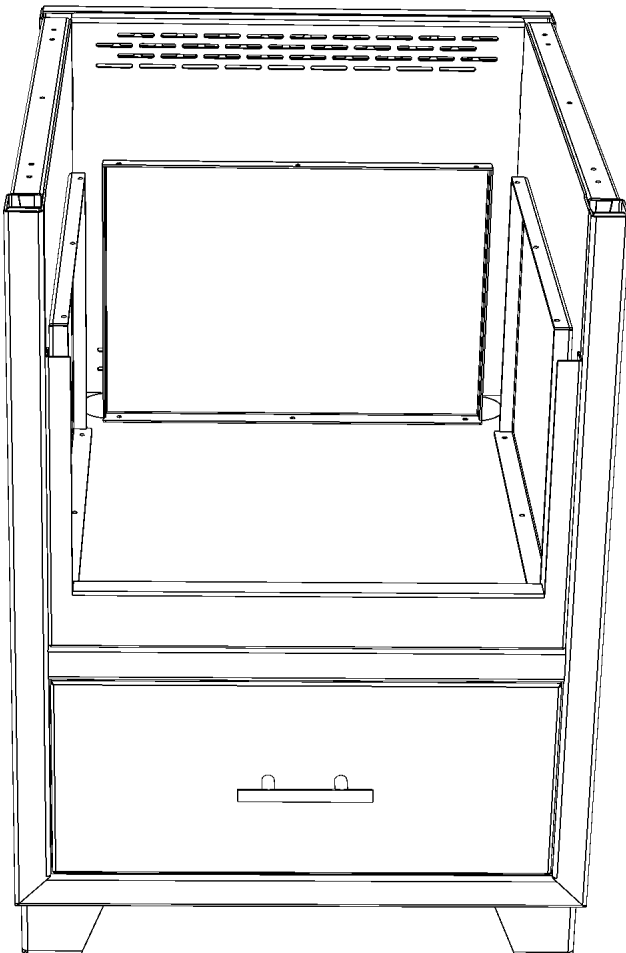
Side inner walls



## Assembly

---

3. Place the three countertop supports as needed, one on each side, and one on the back, to align with the countertop cutouts. Secure to the cabinet floor with self-tapping sheet metal screws. Install the front trim panel.



## Assembly

---

4. Place and secure your countertops as appropriately, and install your appliance.

