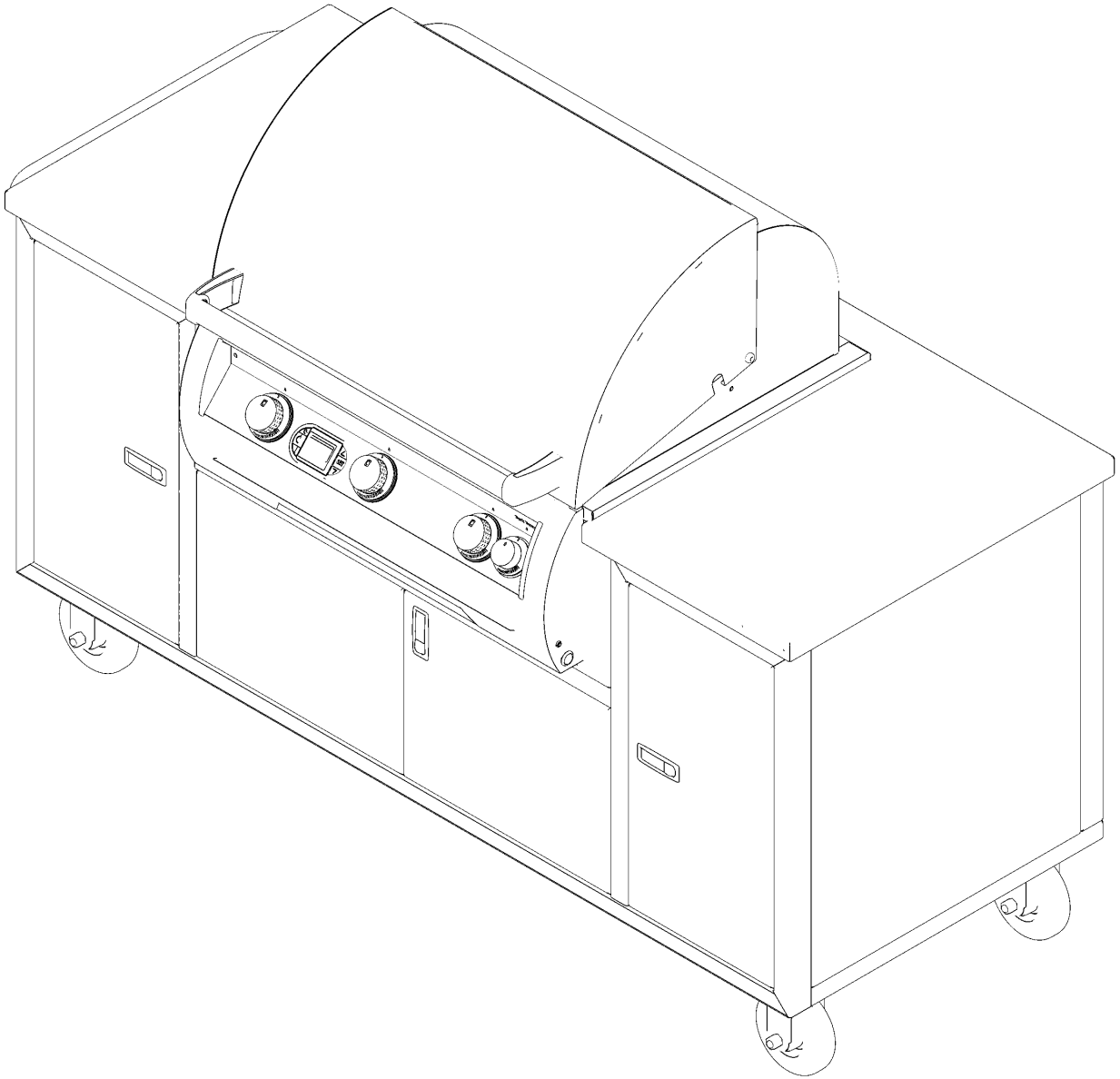


MATCHLESS



Ignite Cart - Setup

Cleaning & Care

Regular cleaning and maintenance promotes the beauty and longevity of your Fusion Cart and ensures a lifetime of use.

Routine cleaning can be accomplished by rinsing away dirt and debris. Follow this by gently wiping with a damp, non-abrasive cloth or sponge using warm water. Follow this by towel drying to prevent water spotting. If additional cleaning is necessary, mild soap can be used.

CAUTION – the use of solvents, abrasives, or dish washer detergent will damage the product's finish.

Always test any cleaning solution in an inconspicuous area before applying to the entire product.

Do not store objects on the surface for any extended periods of time as these can trap moisture and debris.

Do not place hot items on any part of the finished surface. Damage created by hot items can be minimized by cleaning and buffing, but will typically never be eliminated. This type of damage will not be covered under warranty.

CAUTION – Ceramic materials and other abrasive textures can cause damage to the painted surfaces.

CAUTION – Take care to never let hot ash come in contact with the painted surface of this product. In addition, wet ash can become corrosive over time, so keep all surfaces free of ash debris.

CAUTION – Appliance and stainless steel cleaning solvents are harmful to your Matchless Cabinet product's finish and should not come in contact with the surface at any time. Take care to spray the solvent onto a cloth and wipe only on the appliance surface.

Minimize the natural aging of your product by storing your cabinet in a dry, shaded area to reduce fading. Please contact your dealer for details.

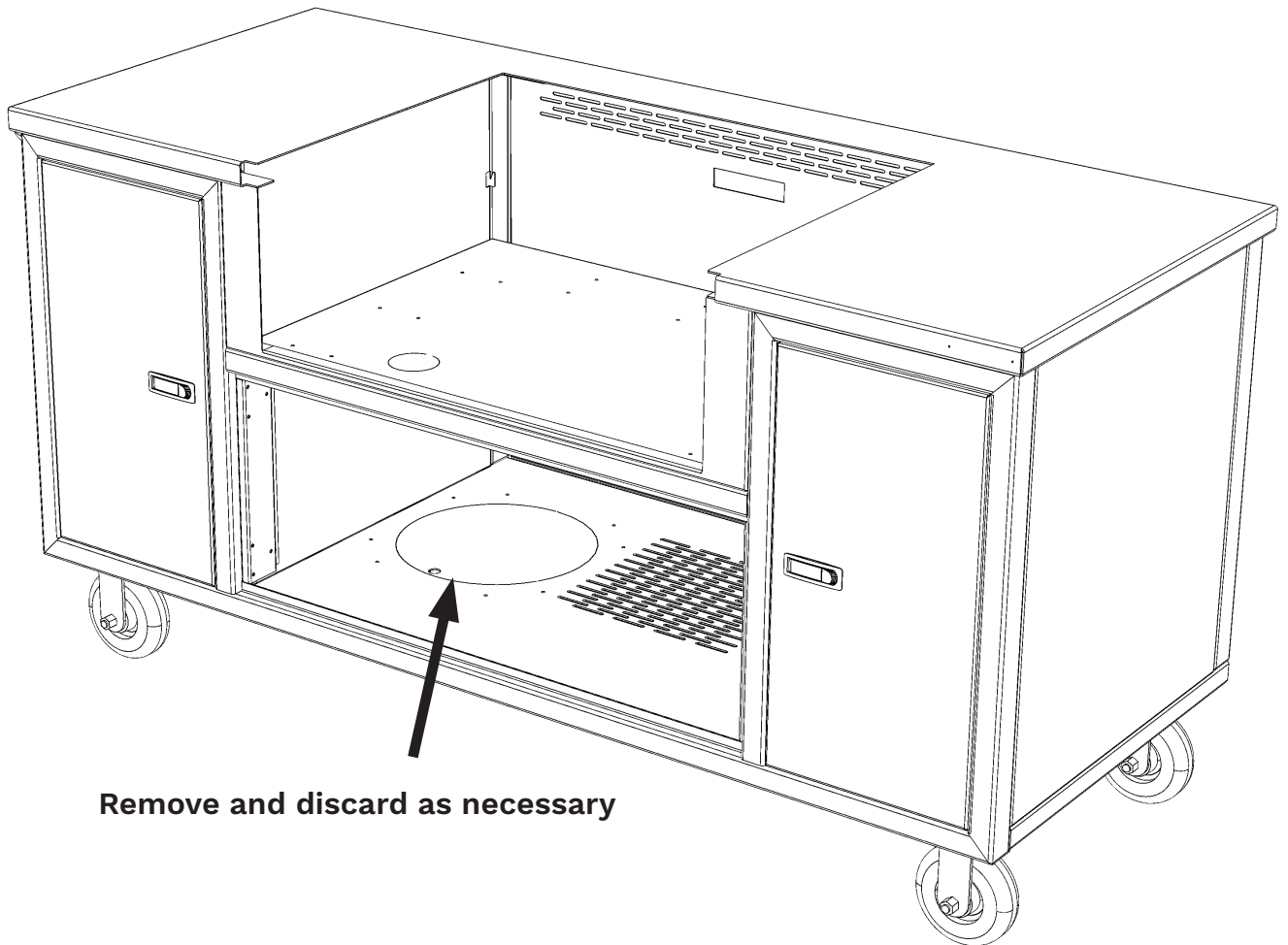
Light or superficial scratches to the finish are likely to occur during normal use and do not affect the integrity of the product.

For warranty or support, please contact:

Matchless Cabinet
19800 Metcalf Ave, Suite 263
Stilwell, KS 66085
(913) 214-1518

Assembly

1. Attach the wheels or leg kit to the bottom of the cabinet with the included hardware; then place the unit right-side up
2. The Ignite Cart will hold a 20lb liquid propane tank in the middle storage cupboard. To utilize this access, you must first remove the knockout panel in the floor, and then place the LP tank into position.

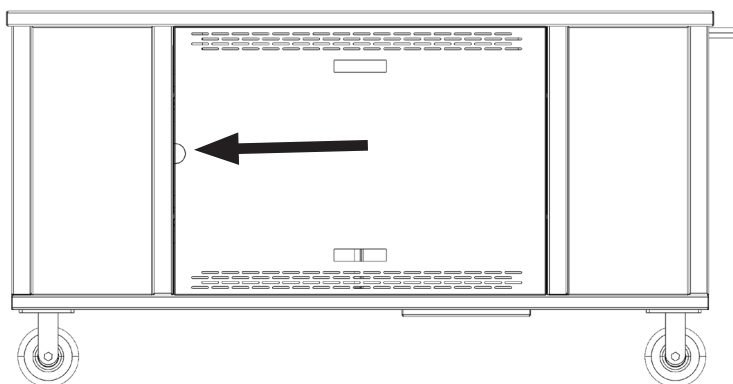
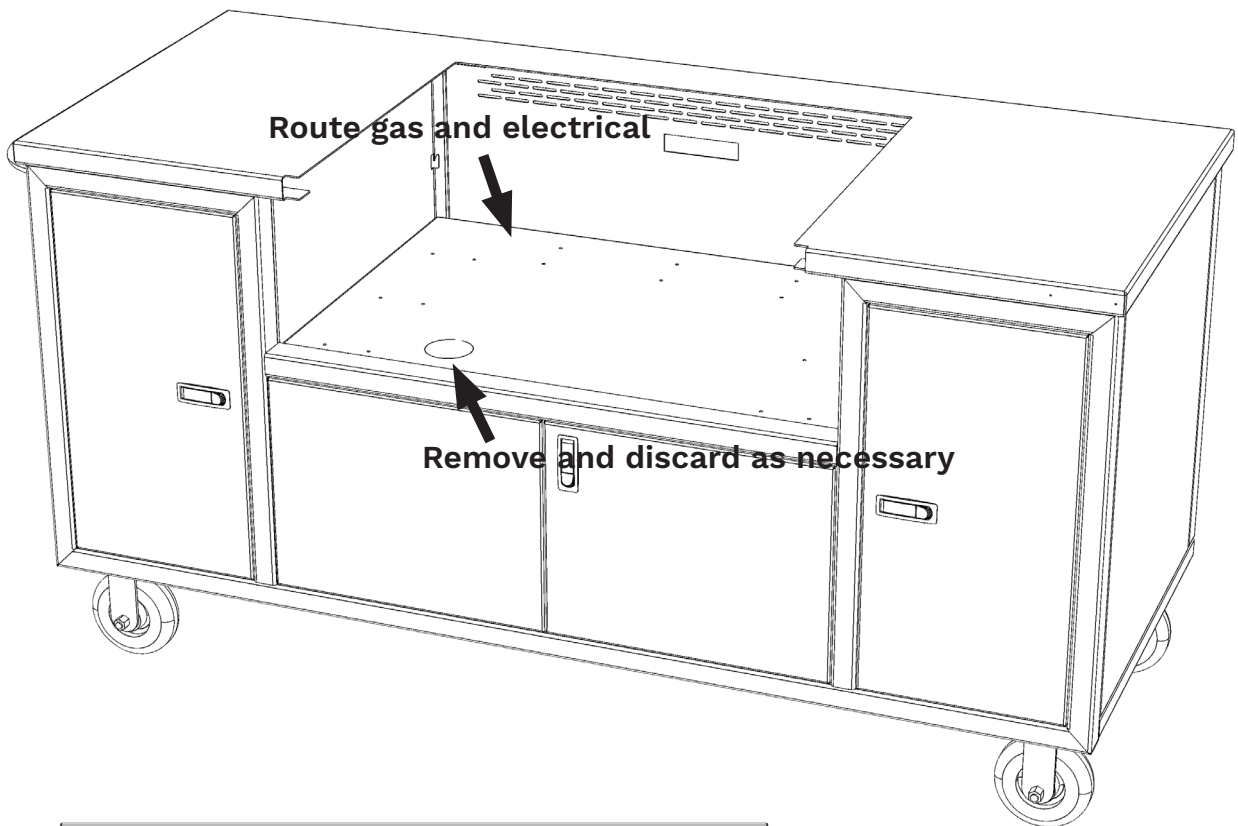


Remove and discard as necessary

MATCHLESS

Assembly

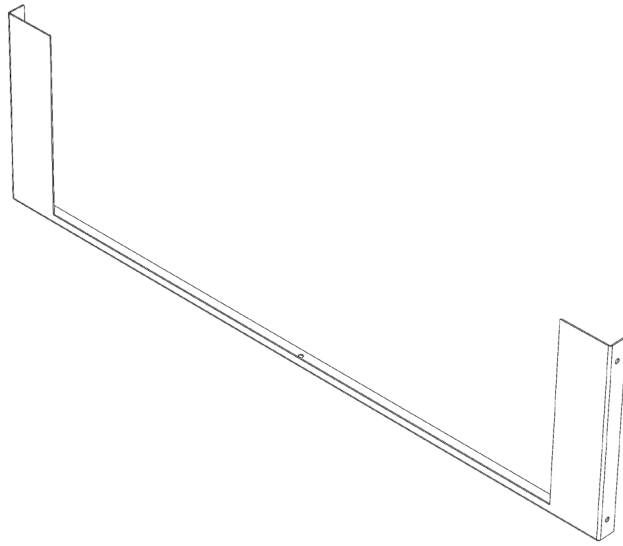
- Gas lines and electrical may be routed between the shelf partition and the (removable) back wall. There is also a small knockout panel located near the front that may be removed for Blackstone Models 6028 and 6301 (which will align to the Tabletop Griddle Insert); or as necessary for your model of grill.



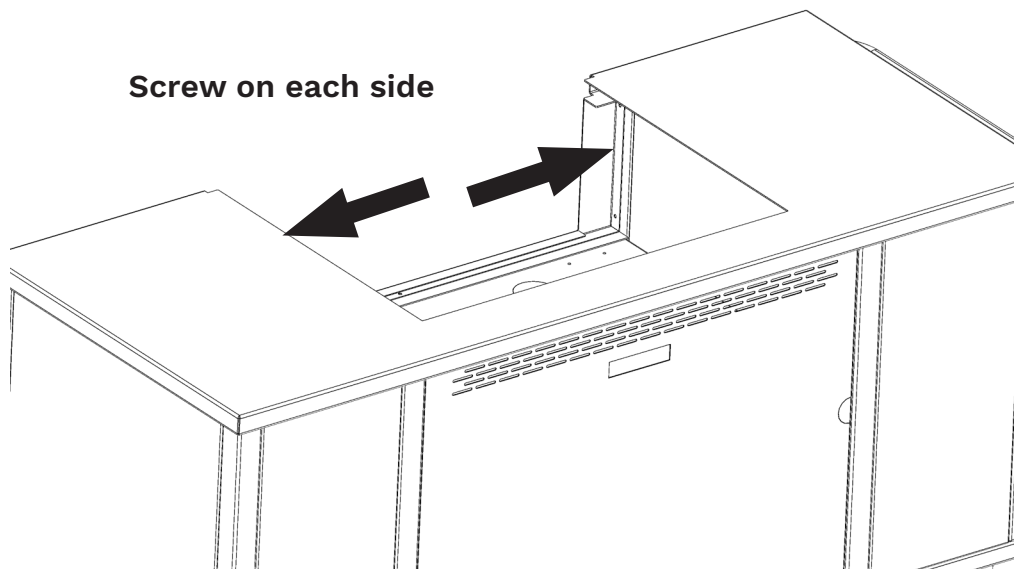
If needed, the rear panel has a half-circle knockout that may be removed to run an external gas line into the unit.

Assembly

4. If installing a standard built-in grill, first place the included front trim into the cart's grill opening. Attach on the sides and bottom with the included M10 self-tapping screws.

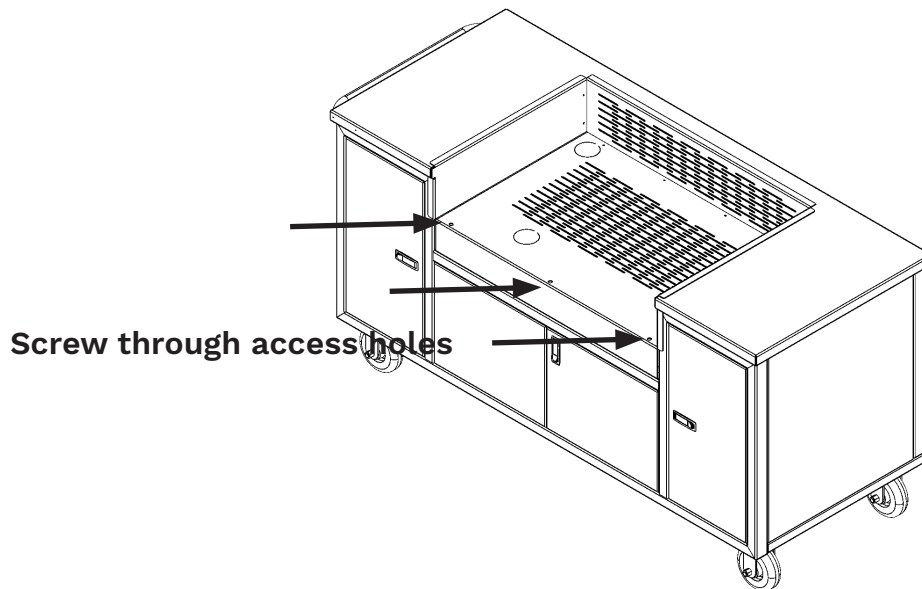
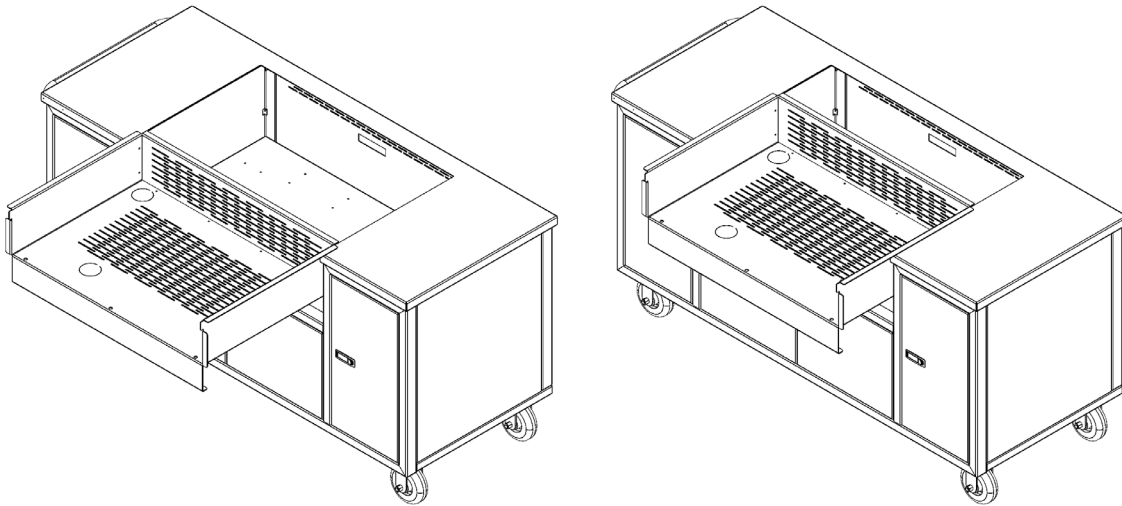


Your particular trim may vary in appearance, based on the model of grill being installed.



Assembly

5. If using our Tabletop Griddle Insert (for Blackstone, Halo, or other griddles), slide that into the opening and secure with three included M10 self-tapping screws, using an extension bit to reach.



6. With care, install grills per the manufacturer specifications.
7. If equipped, install the optional folding side shelves per the Grill Cart Side Shelf installation guide.